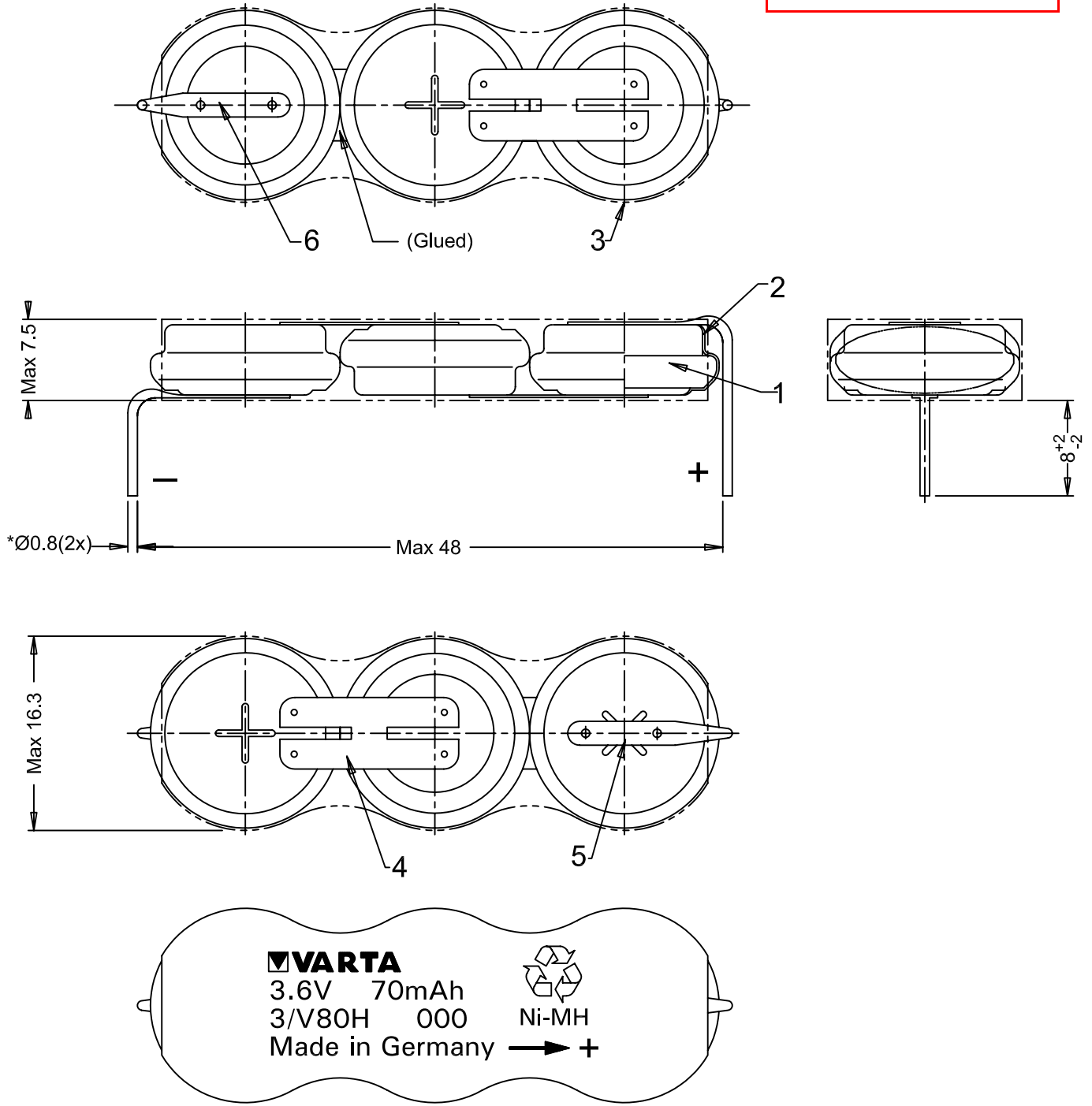


# VARTA Microbattery

**Not Released Copy** mobility for you

Customer Approval returned is mandatory for SAP data to be maintained and order confirmation.

**Customer Approval / Date :**



Note: 1) \*Dimensions for reference only

2) Battery with orange sleeve and black printing.

Approx. wt: 13 g

0	136/04	Refer to Drawing # P03-00096, revision 000	2004-11-18	TitisWS
No	AO No	Revisions	1	Date Name

<b>Projection:</b>		<b>Material:</b> Refer to part list no: 074762		<b>Description:</b> <b>3/V80H L S TP</b> with shrink sleeve & terminal pins	
<b>Dimensions in mm</b>		<b>Prepared &amp; Checked</b>		<b>Verified &amp; Approved</b>	
<b>Tolerance:</b> As specified		2004-11-02		Darwin	
<b>Scale:</b> 2 : 1				<b>Dwg. No:</b> 074762	
				<b>VKB Order No:</b> 55608 403 134	

Rights reserved to make technical changes, as a result of further development, without notice. This drawing is the property of VARTA Microbattery and must not be copied or disclosed to a third party without the written consent of VARTA Microbattery.

