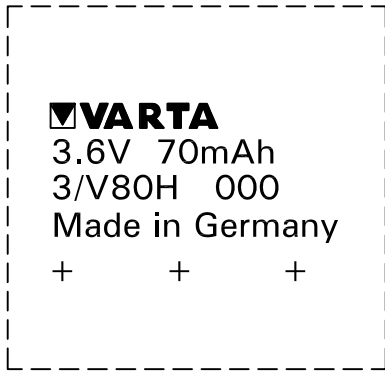
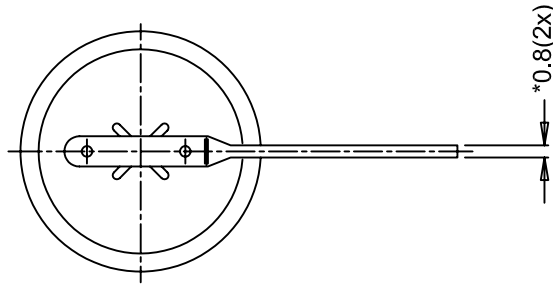


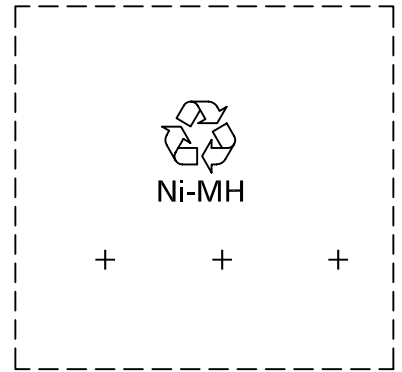
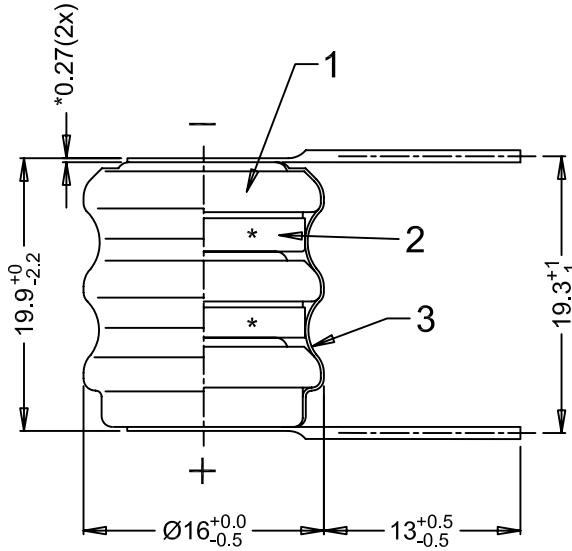
VARTA Microbattery

mobility for you

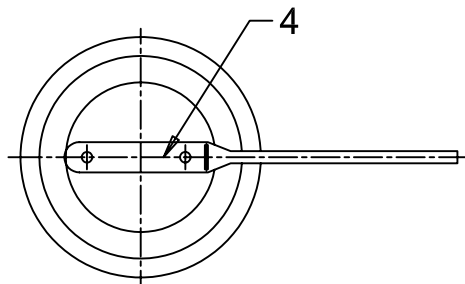
This is a controlled document.
 Hardcopy to be endorsed by authorized person.
 Check with Issuing Office or SAP system for latest update.



Front artwork



Rear artwork



Note: 1) *Dimensions for reference only.

2) Battery with orange sleeve and black printing.

Approx. wt : 13 g

0	137/04	Refer to drawing # P03-00097, revision 000	2004-11-18	TitisWS
No	AO No	Revisions	1	Date Name

Projection:	Material: Refer to part list no: 074763		Description: 3/V80H SK S TP with shrink sleeve & terminal pins	
	Dimensions in mm	Prepared & Checked 2004-11-02 Darwin	Verified & Approved	Dwg. No: 074763
Tolerance: As specified			VKB Order No: 55608 303 029	
Scale: 2 : 1				

Rights reserved to make technical changes, as a result of further development, without notice. This drawing is the property of VARTA Microbattery and must not be copied or disclosed to a third party without the written consent of VARTA Microbattery.

