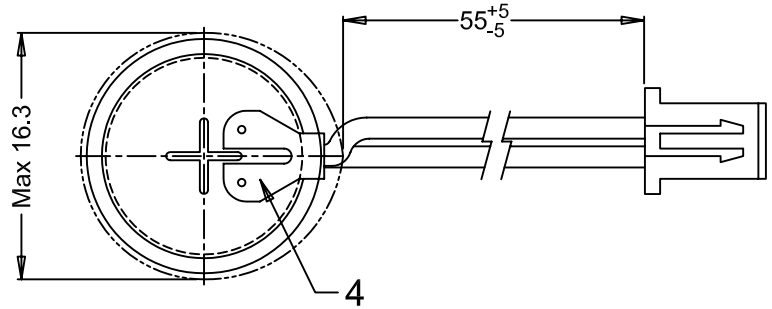
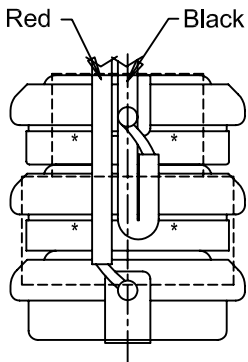


VARTA Microbattery

mobility for you

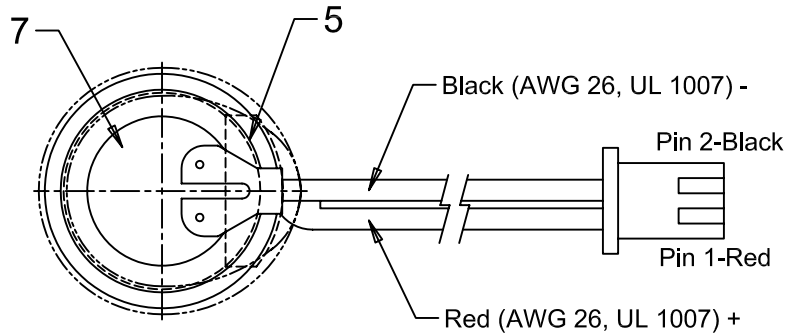
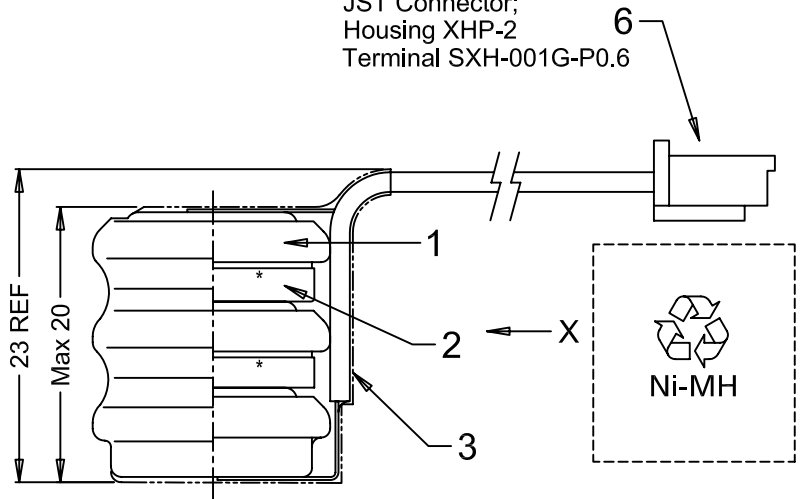


JST Connector;
Housing XHP-2
Terminal SXH-001G-P0.6



VARTA
3.6V 70mAh
3/V80H 000
Made in Germany

View X
(without shrink sleeve)



Note: 1) Battery is totally insulated

2) Battery with orange sleeve and black printing.

Approx. wt : 13 g

0	005/06	Refer to p/n: P03-00184, rev.001	2006-01-24	Ratna
No	AO No	Revisions	1	Date Name

Initiator: Kenji M - Japan		Material: Refer to part list no: 693838		Description: 3/V80H SK S WC with sleeve & wires connector	
Projection:		Prepared & Checked: 2006-01-24 Ratna		Dwg. No: 693838	
Dimensions in mm		Verified & Approved		4 0 0	
Tolerance: As specified				VKB Order No: 55608 303 038	
Scale: 2 : 1					